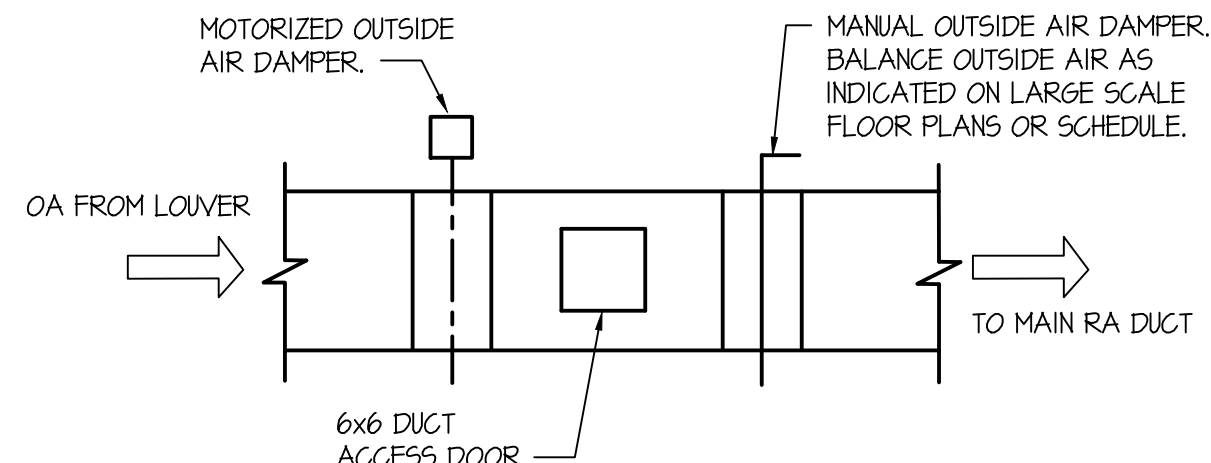
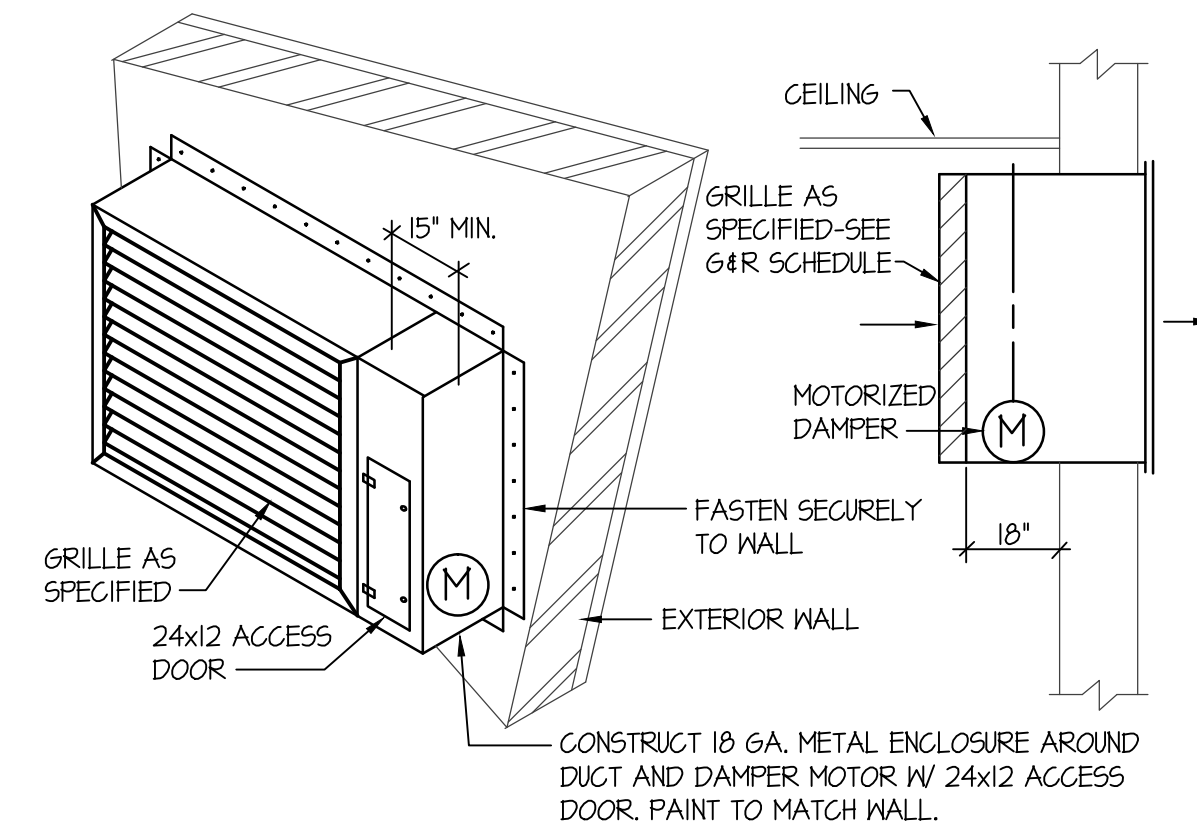


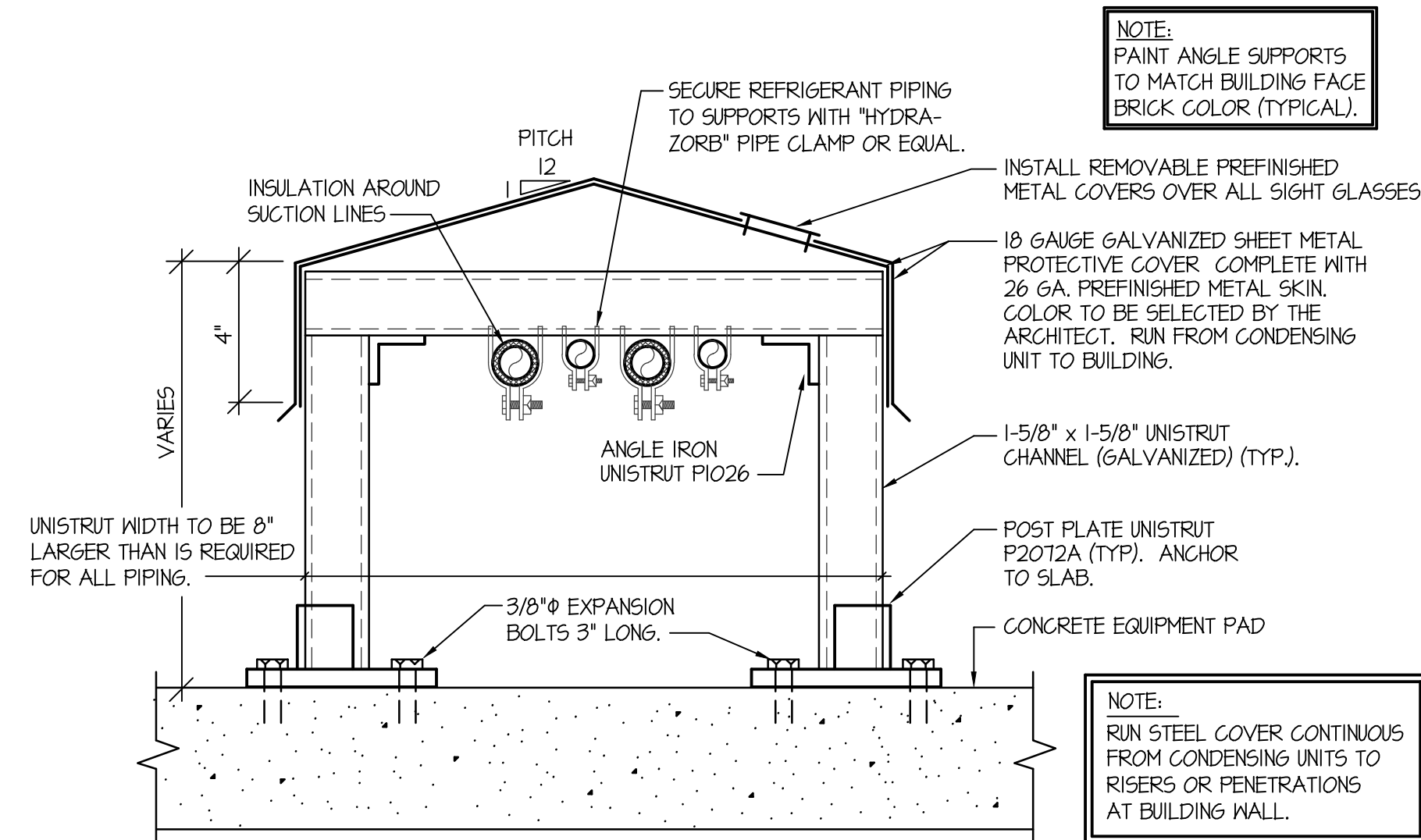
**DUCT STRAP HANGER DETAIL**  
NO SCALE



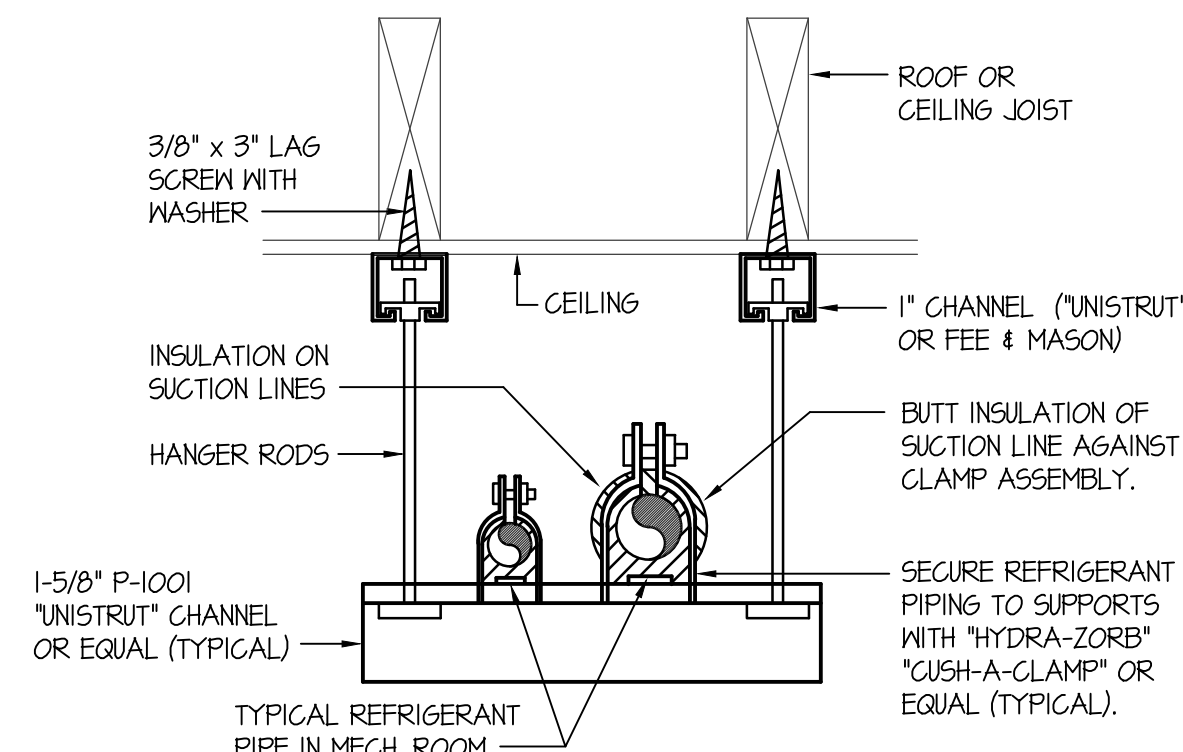
**TYPICAL OUTSIDE AIR DUCT DETAIL**  
NO SCALE



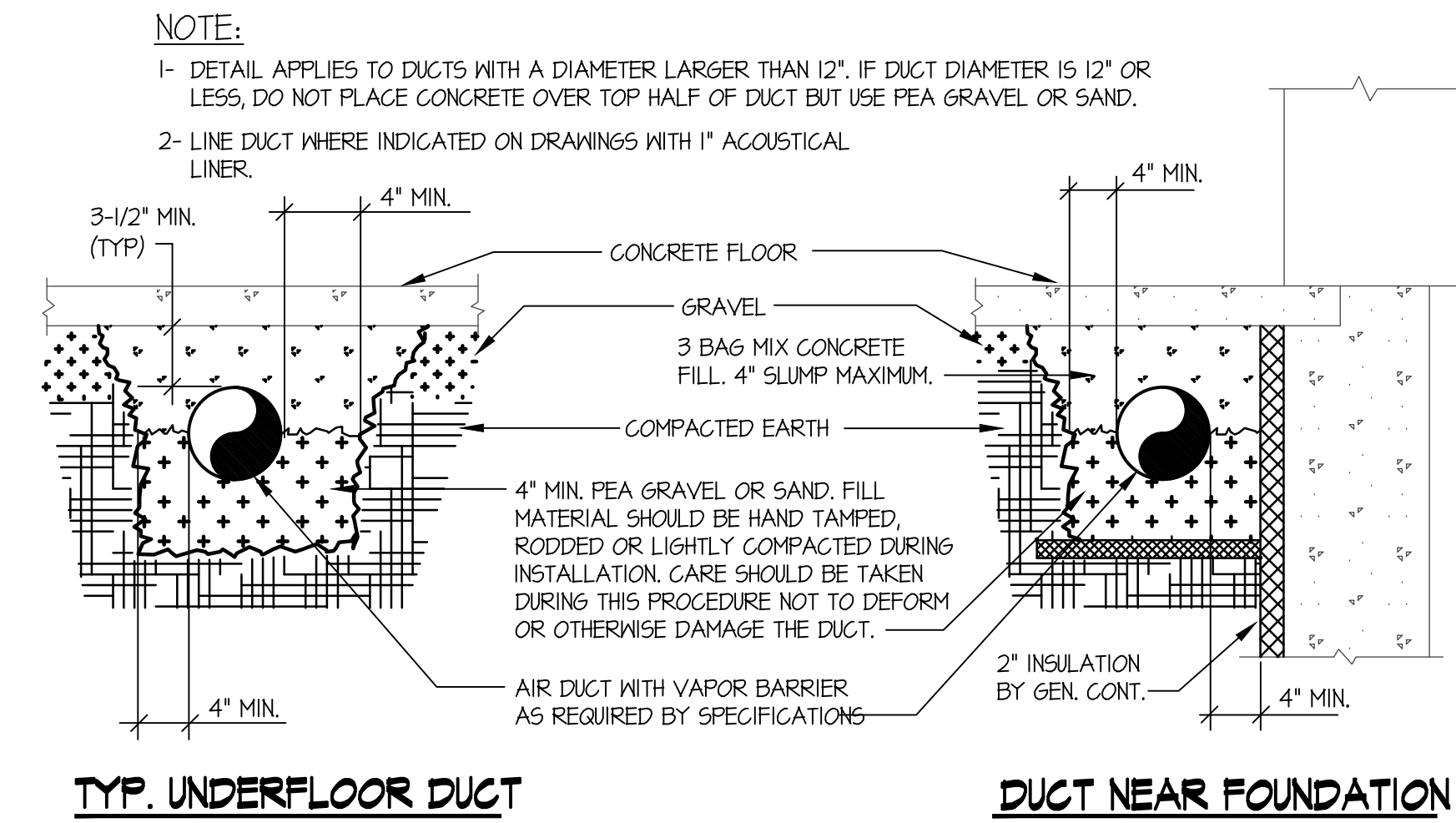
**RELIEF AIR LOUVER DETAIL**  
NO SCALE



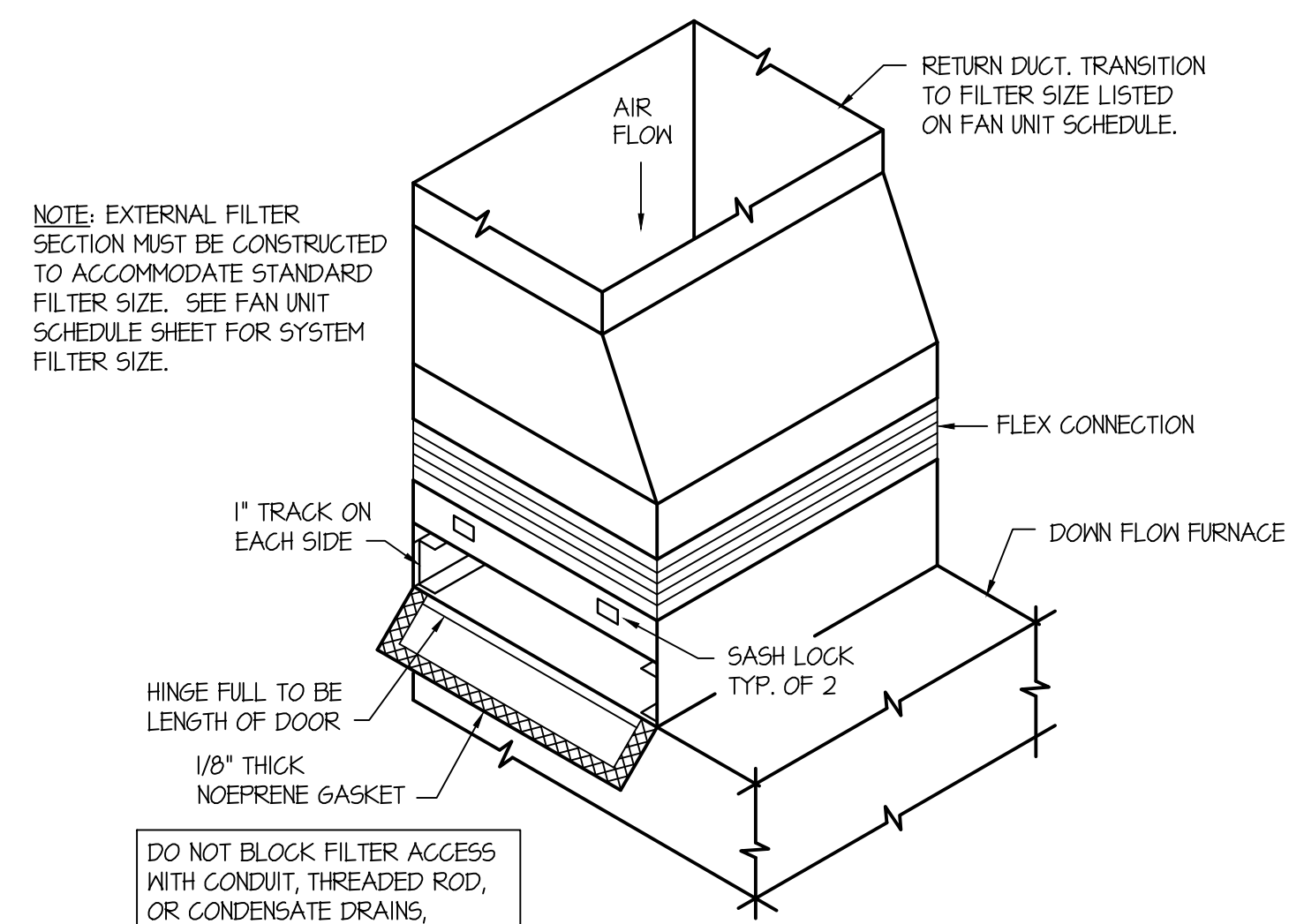
**REFRIGERANT PIPE SUPPORT DETAIL**  
NO SCALE



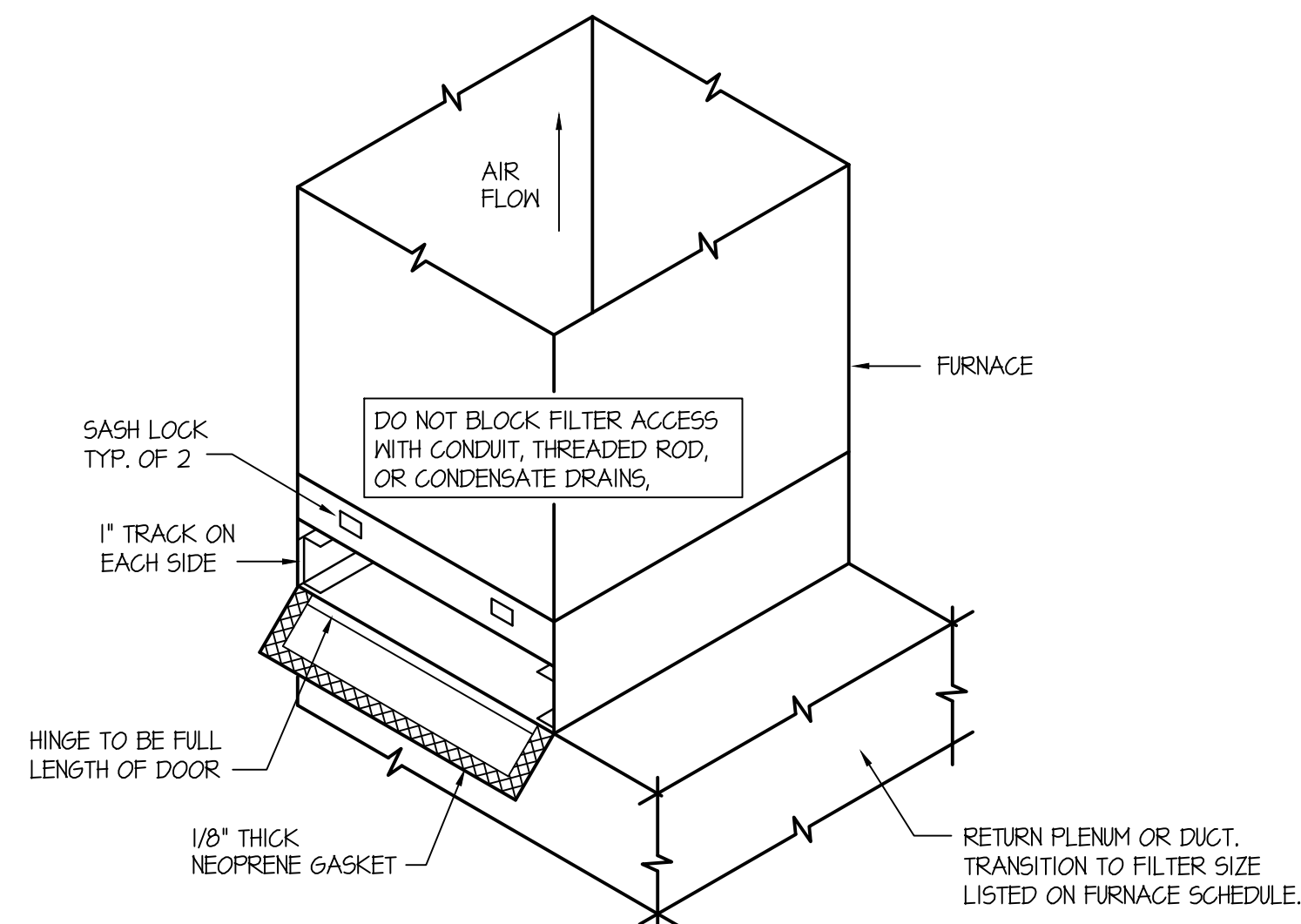
**SUSPENDED PIPE SUPPORT**  
NO SCALE



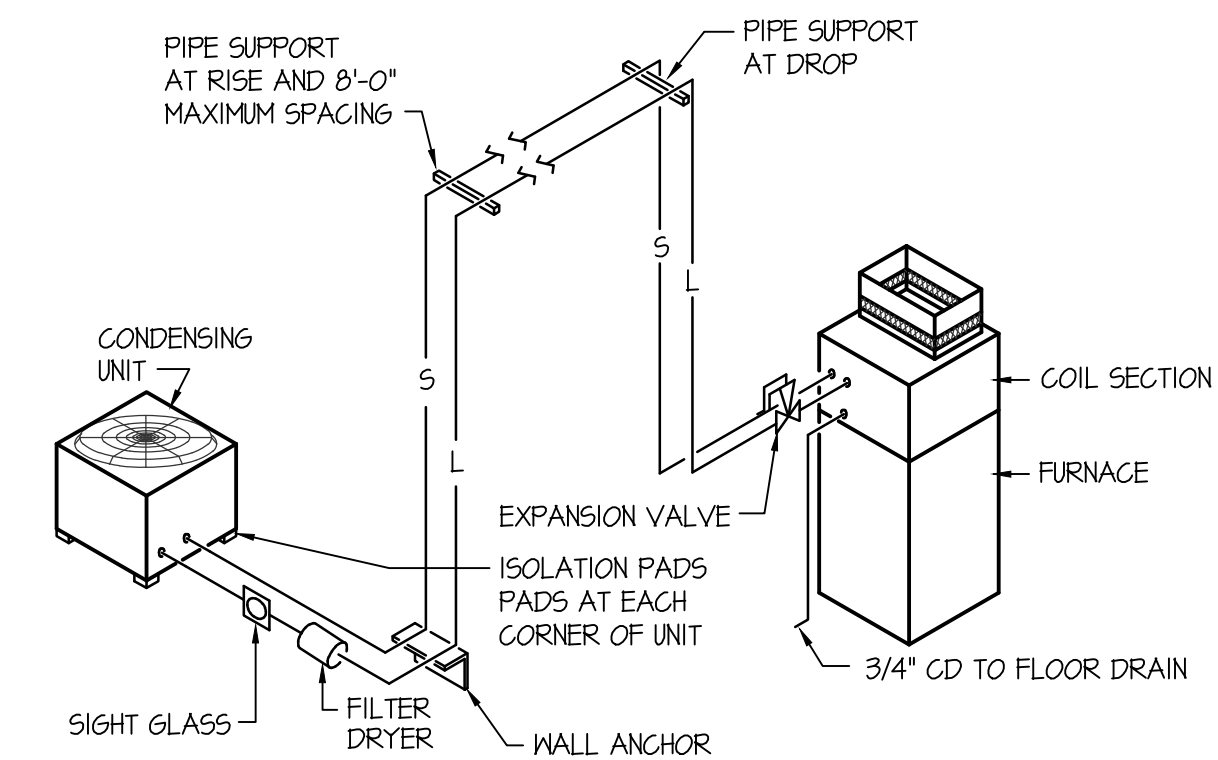
**UNDERFLOOR DUCT DETAILS**  
NO SCALE



**EXTERNAL FILTER SECTION DETAIL**  
NO SCALE  
DOWN FLOW CONFIGURATION



**EXTERNAL FILTER SECTION DETAIL**  
NO SCALE  
UP-FLOW CONFIGURATION



**REFRIGERANT PIPING DIAGRAM**  
NO SCALE  
(5 TON AND SMALLER)